



CQD15SD

Electric Scissor Reach truck 1500kg

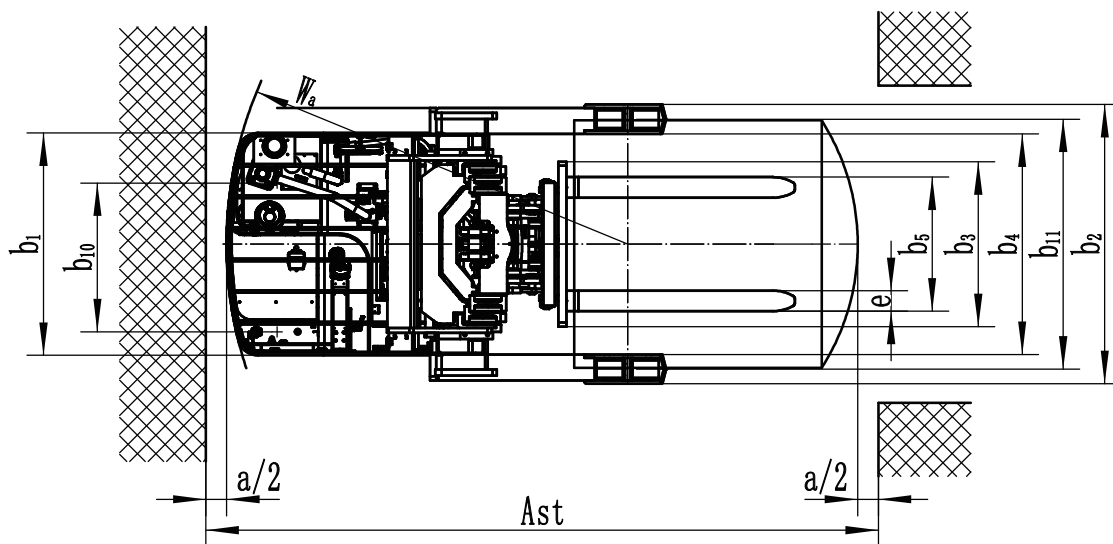
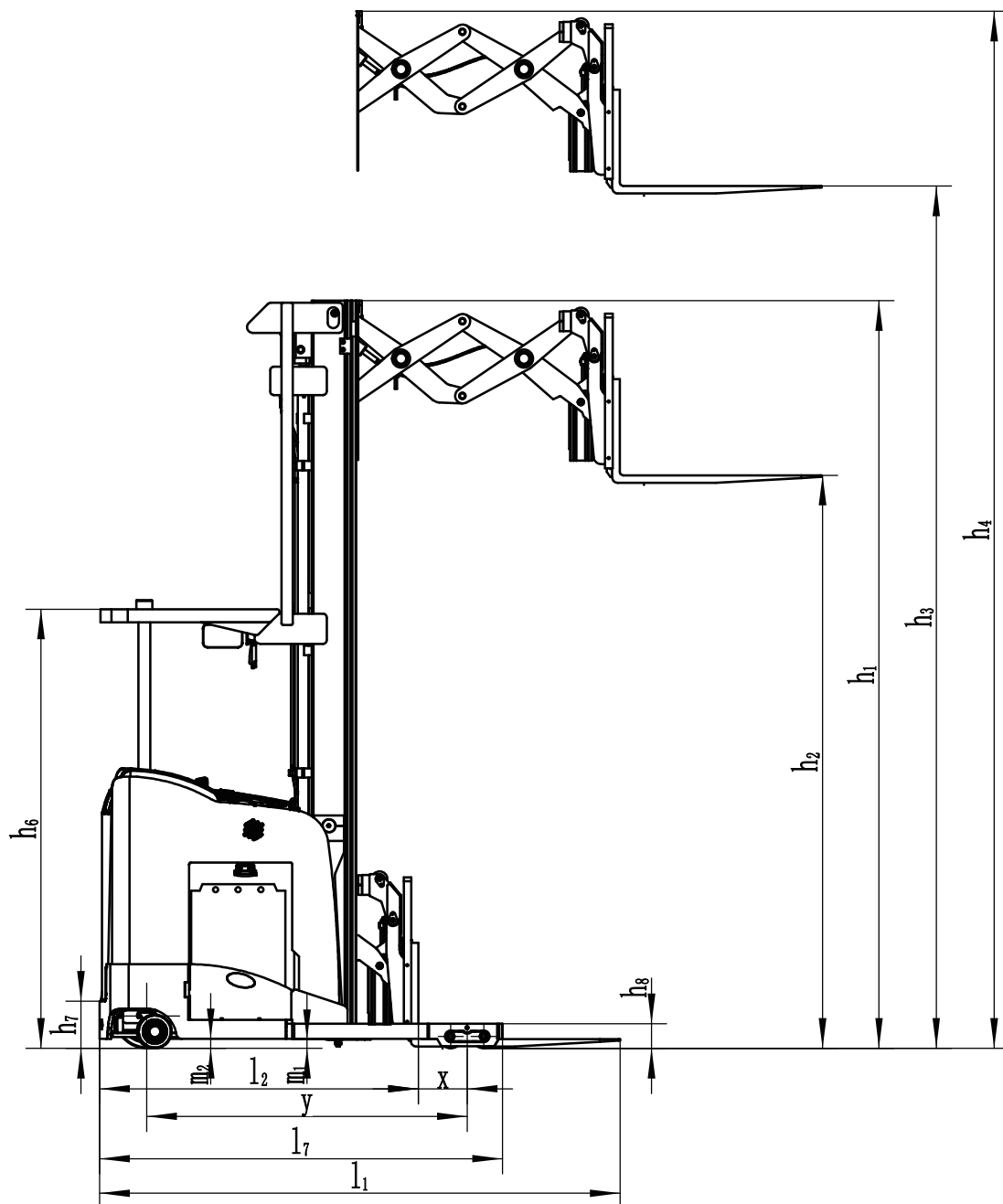
- Scissor forks suitable for deep racking system
- Both lead-acid and Li-ion battery options fulfilling different needs
- Enhanced mast with the elevation up to 10.7m
- Proportion lifting system, 1080P IR camera and height indicator for utmost precision

Electric Scissor Reach truck 1500kg

CQD15SD

Distinguishing mark	1.1	Manufacturer			EP
	1.2	Model designation			CQD15SD
	1.3	Drive unit			Electric
	1.4	Operator type			Standing
	1.5	rated capacity	Q	kg	1.5
	1.6	Load center distance	c	mm	600
Service weight	1.9	Wheelbase	y	mm	1700
	2.1	Service weight		kg	4390 ^①
	2.2	Axle loading, laden front/rear		kg	2414/1976
	2.3	Axle loading, unladen front/rear		kg	2590/1800
	2.4	Axle loading, fork advanced, laden driving side/loading side		kg	1178/4712
Tyres/chassis	2.5	Axle loading, fork retracted, laden driving side/loading side		kg	2297/3593
	3.1	Tyre type			PU
	3.2	Tyre size, front		mm	Φ343× 40
	3.3	Tyre size, rear		mm	Φ127× 98
	3.5	Wheels, number front/rear (x=drive wheels)		mm	1×, 2/4
	3.6	Tread, front	b10	mm	721.5
	3.7	Tread, rear	b11	mm	1006
Dimensions	4.1	Tilt of mast/fork carriage forward/backward	α/β	°	0.75
	4.2	Height, mast lowered	h1	mm	2965 ^②
	4.3	Free lift	h2	mm	1900 ^②
	4.4	Lift height	h3	mm	6500 ^②
	4.5	Height, mast extended	h4	mm	7435 ^②
	4.7	Height of overhead/ guard cabin	h6	mm	2330
	4.8	Seat height/standing height	h7	mm	250
	4.10	Height of wheel arms	h8	mm	130
	4.19	Overall length	l1	mm	2790
	4.20	Length to face of forks	l2	mm	1720
	4.21	Overall width	b1/b2	mm	1078/1148
	4.22	Fork dimensions	s/e/l	mm	40/100/1070
	4.23	A,B Fork carriage class/type A, B			2A
	4.24	Fork carriage width	b3	mm	800
	4.25	Distance between fork-arms	b5	mm	200-780
	4.26	Distance between wheel arms/loading surfaces	b4	mm	864
	4.28	Reach distance	l4	mm	1070
	4.31	Ground clearance, laden, below mast	m1	mm	45
	4.32	Ground clearance, center of wheelbase	m2	mm	50
	Performance data	4.34.1	Aisle width for pallets 1000×1200 crossways	Ast	mm
4.34.2		Aisle width for pallets 800×1200 crossways	Ast	mm	3195 ^③
4.35		turning radius	Wa	mm	1945
4.37		Length across wheel arms (exclusive fork)	l7		2130
5.1		Travel speed, laden/unladen		km/ h	11/12
5.2		Lifting speed, laden/unladen		m/s	0.45/0.5
5.3		Lowering speed, laden/unladen		m/s	0.5/0.5
5.4		Reaching speed, laden / unladen		m/ s	0.17/0.17
5.8		Max. gradeability, laden/unladen		%	10/12
5.10		Service brake			Electromagnetic
Electric-engine	6.1	Drive motor rating S2 60 min		kW	7
	6.2	Lift motor rating at S3 15%		kW	20
	6.3	The maximum allowed size battery		mm	1025×500×710
	6.4	Battery voltage/nominal capacity		V/Ah	48V/700Ah ^④
	6.5	Battery weight		kg	1030 ^④
Addition data	8.1	Type of drive unit			AC
	10.5	Steering design			Electronic
	10.7	ound pressure level at the driver's ear		dB(A)	75

If there are improvements of technical parameters or configurations, no further notice will be given.
The diagram shown may contain non-standard configurations.



① Service weight (including battery)

Item	Mast stage	Mast height (mm)	Service weight(kg)
			CQD15SD
1	3-stage	6500	4390
2		6860	4425
3		7000	4440
4		7500	4490
5		7600	4500
6		8000	4540
7		8150	4555
8		8500	4590
9		8660	4305
10		9000	4640
11		9300	4670
12		9500	4690
13		10000	4740
14		10160	4755
15		10500	4790
16		10700	4810

② CQD15SD 3-stage mast

Lift height	Height, mast lowered	Height, Free lift		Height, mast extended	
h3	h1	h2	h2(*)	h4	h4(*)
6500	2965	1900	1900	7435	7426
6860	3085	2020	2020	7795	7786
7000	3130	2065	2065	7935	7926
7500	3295	2230	2230	8435	8426
7600	3330	2265	2265	8535	8526
8000	3495	2430	2430	8935	8926
8150	3545	2480	2480	9085	9076
8500	3660	2595	2595	9435	9426
8660	3715	2650	2650	9595	9586
9000	3860	2795	2795	9935	9926
9300	3965	2900	2900	10235	10226
9500	4030	2965	2965	10435	10426
10000	4230	3165	3165	10935	10926
10160	4285	3220	3220	11095	11086
10500	4395	3330	3330	11435	11426
10700	4465	3400	3400	11635	11626

Note: (*) means without backrest

③ Overall length(mm)

Overall length (Min)	l_1	2790
Length to face of forks	l_2	1720
Reach distance	l_4	1070
Aisle width for pallets 1000x1200 crossways	Ast	3125
Aisle width for pallets 800x1200 lengthways	Ast	3195
Aisle width for pallets 1000x1200 lengthways	Ast	3240
Aisle width for pallets 800x1200 crossways	Ast	2975

④ Battery

Model	CQD15SD	
Lead acid battery capacity	700Ah	
Lead acid battery weight	1030kg	
Li-ion battery capacity	405Ah	560Ah
Li-ion battery weight	350kg	350kg